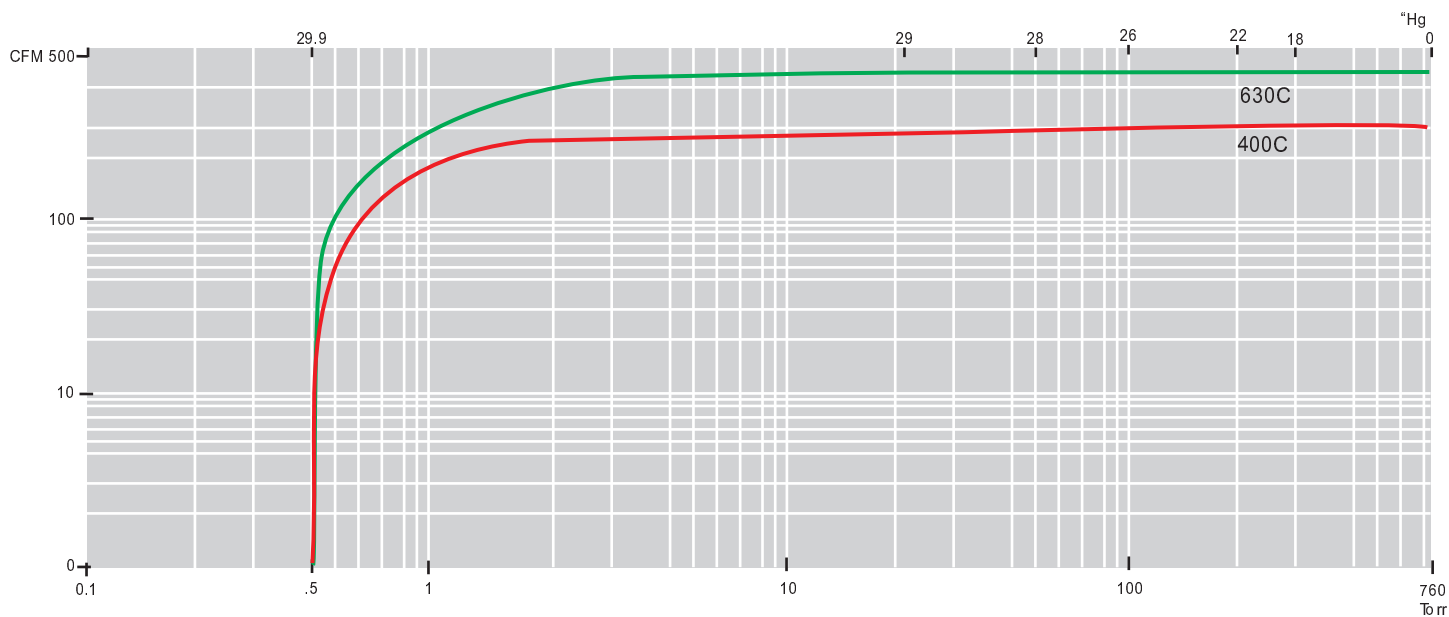


**AIRTECH** oil-flooded, multi-vane vacuum pumps are single stage, air-cooled and direct driven. This simple design ensures the reliability and durability that is required in the vacuum industry.

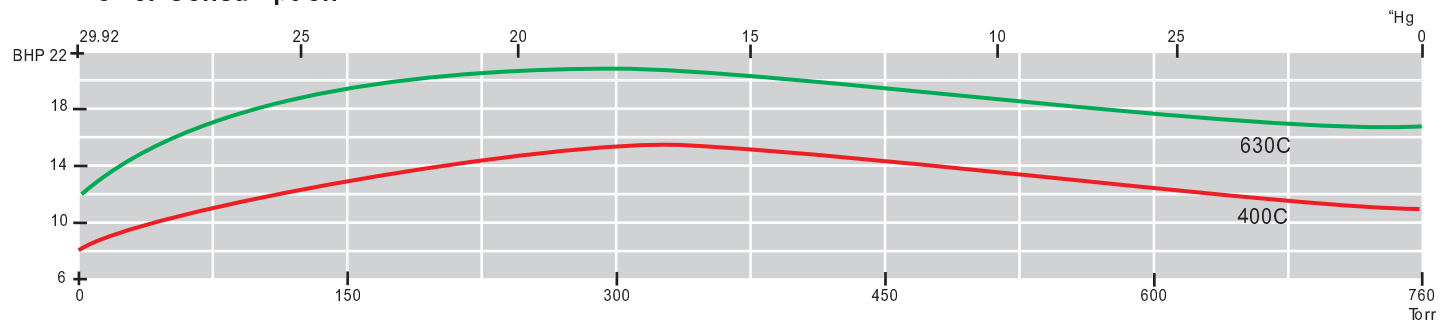
### Standard Equipment:

- High performance carbon composite vanes
- Oil level sight glass
- Vibration isolators
- Anti-suck back valve
- Integral exhaust filters
- TEFC high efficiency tri- voltage motors (208-230/460V 50/60)
- Exhaust pressure gauge
- Wire mesh inlet screen
- Oil spin-on filter

### Performance Curves

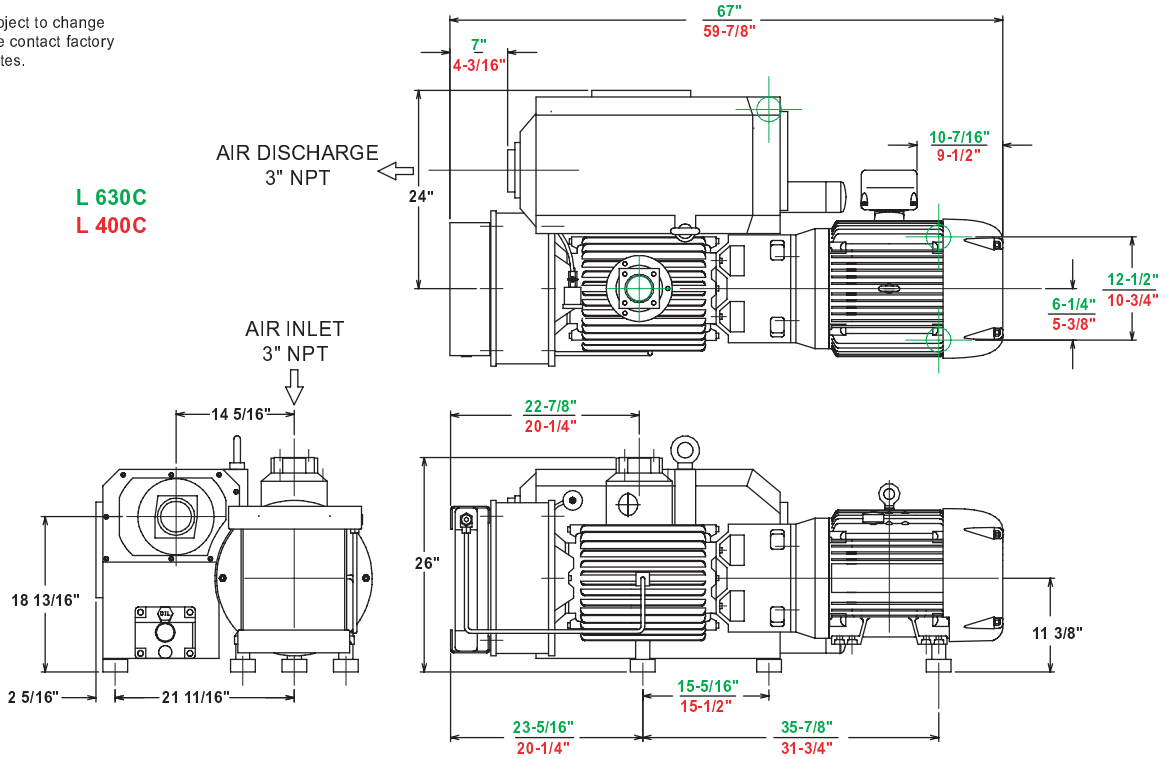


### Power Consumption



### Dimensions: (Inches)

Specifications are subject to change without notice. Please contact factory for specification updates.



### Specifications:

Model	400C	630C
Free Air Displacement [CFM] 60 Hz	330	460
Motor Capacity [HP] 60 Hz	15	25
Speed [RPM] 60 Hz	1200	1200
Sound Level [dB(A)] 60 Hz	79	79
End Vacuum [Torr]	0.5	0.5
Weight [Lbs] [with motor]	1047	1367
Oil quantity [Qts]	19	19