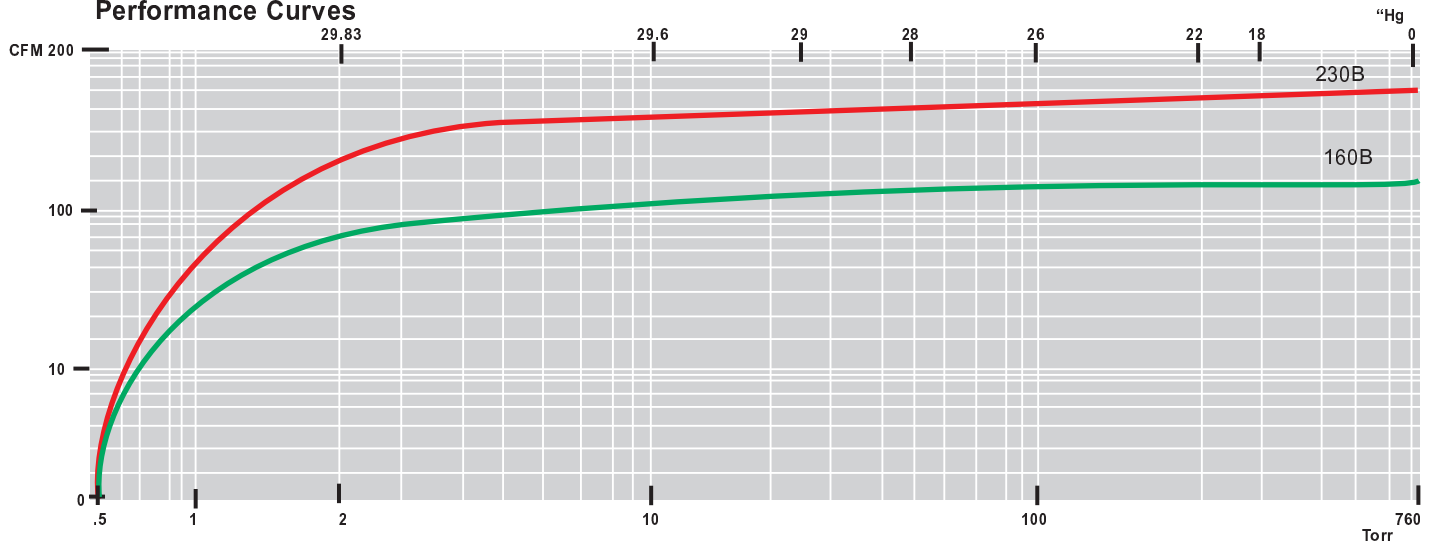


AIRTECH oil-flooded, multi-vane vacuum pumps are single stage, air cooled and direct driven. This simple design ensures the reliability and the durability that is required in the vacuum industry.

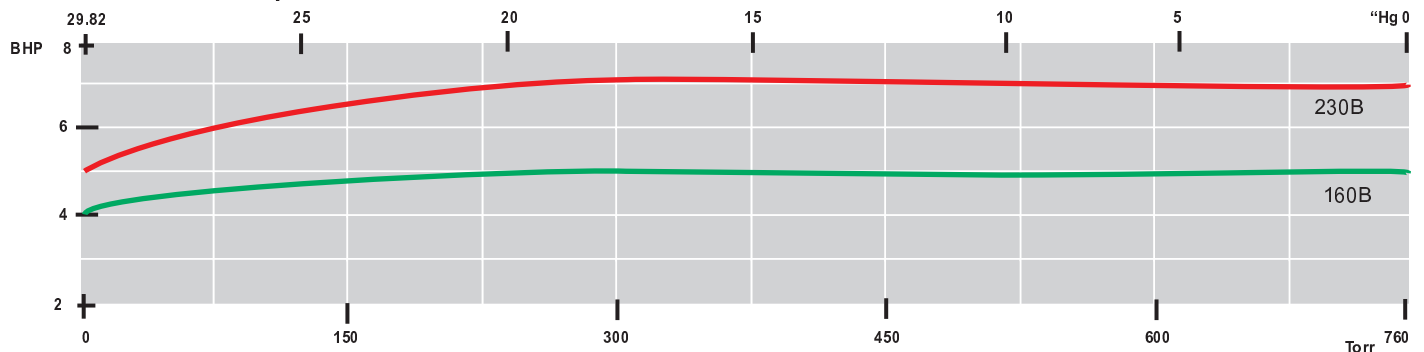
### Standard Equipment:

- Composite vane material for long life
- Oil level sight glass
- Vibration isolators
- Anti-suck back valve
- Integral exhaust filters
- TEFC high efficiency tri-voltage motor (208-230/460V 50/60)
- Exhaust pressure gauge
- Wire mesh inlet screen
- Spin-on oil filter

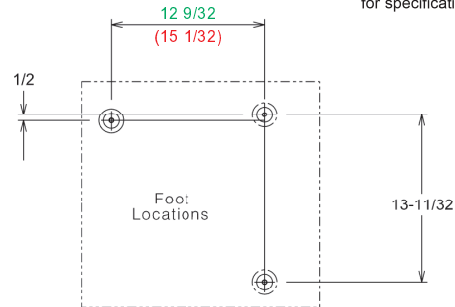
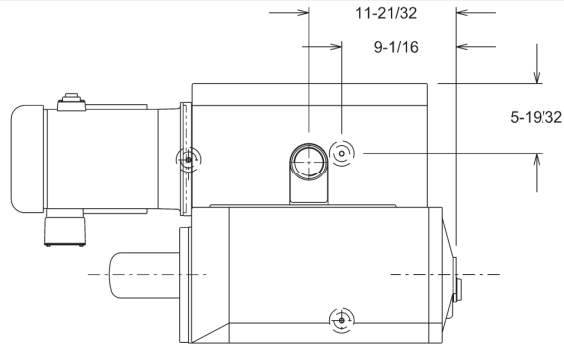
### Performance Curves



### Power Consumption

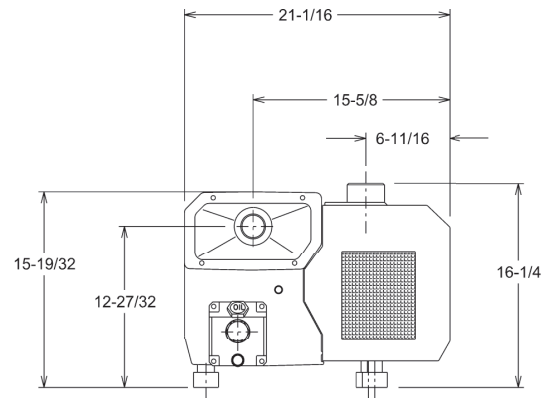
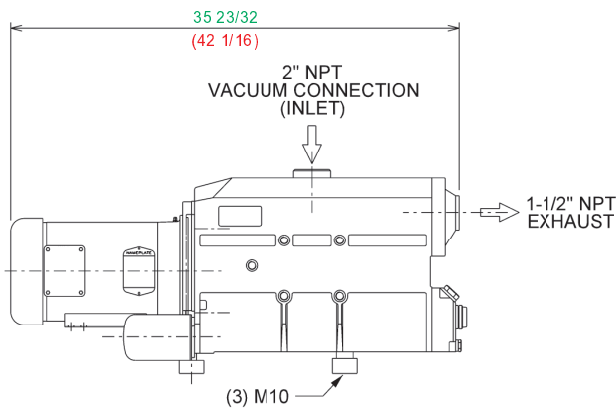


### Dimensions (inches):



Specifications are subject to change without notice. Please contact factory for specification updates.

**L 160B**  
**L (230B)**



### Specifications:

Model	<b>160B</b>	<b>230B</b>
Free Air Displacement [CFM] 60 Hz	112	155
Motor Capacity [HP] 60 Hz	5.0	7.5
Speed [RPM] 60 Hz	1725	1725
Sound Level [dB(A)] 60 Hz	72	74
End Vacuum [Torr]	0.5	0.5
Weight [Lbs] [with motor]	306	377
Oil quantity [Qts]	7	7