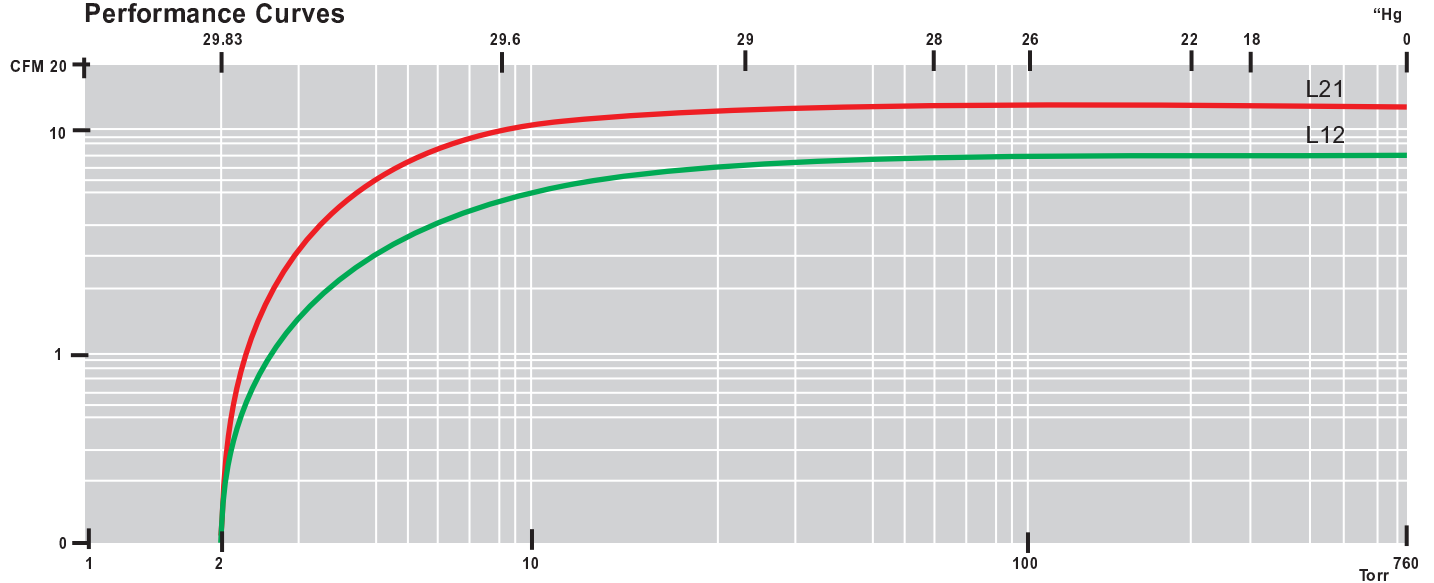


AIRTECH oil-flooded, multi-vane vacuum pumps are single stage, air cooled and direct driven. This simple design ensures the reliability and the durability that is required in the vacuum industry.

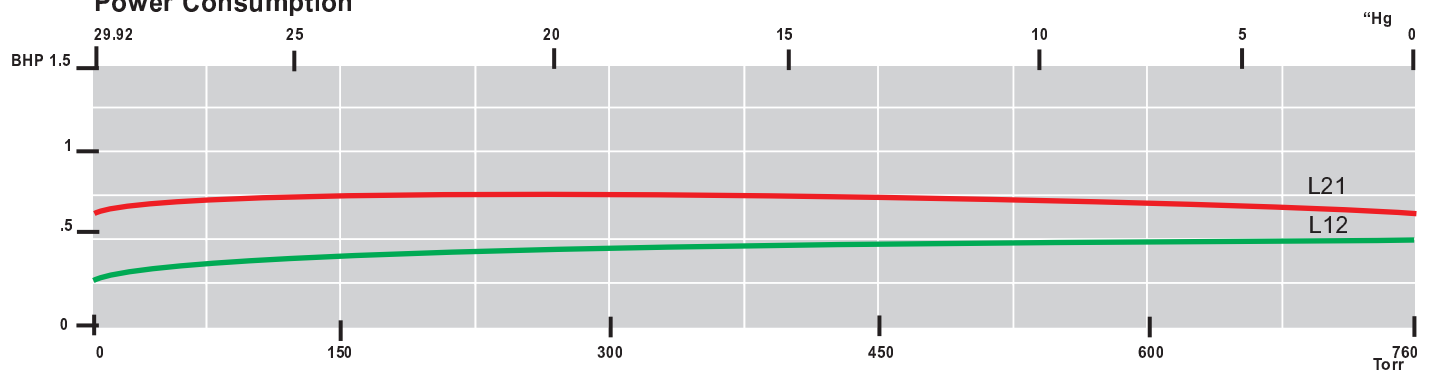
Standard Equipment:

- Composite vane material for long life
- Oil level sight glass
- Vibration isolators
- Anti-suck back valve
- Integral exhaust filters
- TEFC high efficiency tri-voltage motor (208-230/460V 50/60)
- Wire mesh inlet screen

Performance Curves

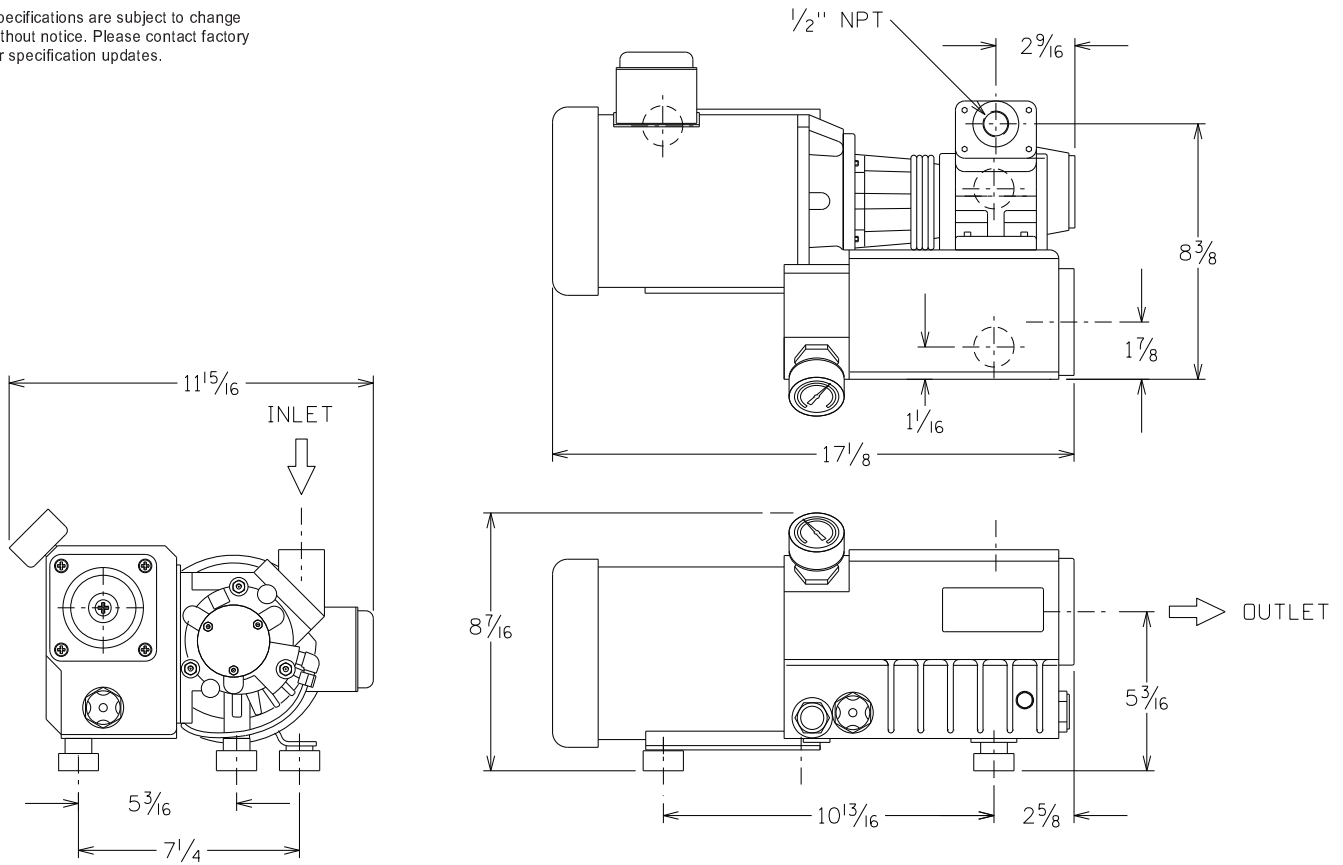


Power Consumption



Dimensions (inches):

Specifications are subject to change without notice. Please contact factory for specification updates.



Specifications:

Model	12	21
Free Air Displacement [CFM] 60 Hz	7	15
Motor Capacity [HP] 60 Hz	.75	1.0
Speed [RPM] 60 Hz	1725	3450
Sound Level [dB(A)] 60 Hz	59	62
End Vacuum [Torr]	2.0	2.0
Weight [Lbs] [with motor]	42	42
Oil quantity [Qts]	.5	.5